

## Technical Specifications

Input	USB-C: USB-PD USB-A: 5V/2A • 5V/3A QC 2.0/3.0
Wireless Output	Max 15W <i>Charge power is variable and depends on power source, phone model, temperature, etc.</i>
Recommended Operating Temperature	-10—40° C <i>Charge performance will drop above -40° C</i>
Power Consumption	8—20 mA (Standby)
Technical Specifications:	1:H-Field Strength: 38.92 dBµA/m @3m
Frequency band	111kHz - 205kHz
Max. radiated transmission power	15W



## FCC Statement

- This device complies with Part 15 of the FCC Rules. Operation is subject to the following two conditions:  
 (1) This device may not cause harmful interference, and  
 (2) This device must accept any interference received, including interference that may cause undesired operation.
- Changes or modifications not expressly approved by the party responsible for compliance could void the user's authority to operate the equipment.

NOTE: This equipment has been tested and found to comply with the limits for a Class B digital device, pursuant to Part 15 of the FCC Rules. These limits are designed to provide reasonable protection against harmful interference in a residential installation.

This equipment generates uses and can radiate radio frequency energy and, if not installed and used in accordance with the instructions, may cause harmful interference to radio communications. However, there is no guarantee that interference will not occur in a particular installation. If this equipment does cause harmful interference to radio or television reception, which can be determined by turning the equipment off and on, the user is encouraged to try to correct the interference by one or more of the following measures:

- Reorient or relocate the receiving antenna.
- Increase the separation between the equipment and receiver.
- Connect the equipment into an outlet on a circuit different from that to which the receiver is connected.
- Consult the dealer or an experienced radio/TV technician for help.

### FCC Radiation Exposure Statement

This equipment complies with FCC radiation exposure limits set forth for an uncontrolled environment. This equipment should be installed and operated with minimum distance 20cm between the radiator & your body.

EN

### ATTENTION!

- Avoid use in a humid or high temperature environment if possible.
- Don't hit, disassemble or re-assemble the product - this may lead to malfunction.
- High Temperatures can reduce charge efficiency.
- Smartphone power consumption can exceed charge power. Setup phone appropriately!

DE

### ACHTUNG!

- Einsatz in einer feuchten Umgebung oder bei hohen Temperaturen nach Möglichkeit vermeiden.
- Nicht auf das Produkt einschlagen, zerlegen oder wieder zusammenbauen - dies kann zu Fehlfunktionen führen.
- Hohe Temperaturen können die Ladeleistung verringern.
- Der Stromverbrauch des Smartphones kann die Ladeleistung übersteigen. Telefon entsprechend einstellen!

FR

### ATTENTION!

- Si possible, éviter d'utiliser le produit dans un environnement humide ou à des températures élevées.
- Ne pas frapper, démonter ou remonter le produit - cela peut entraîner un dysfonctionnement.
- Des températures élevées peuvent réduire la puissance de charge.
- La consommation d'énergie du smartphone peut dépasser la puissance de charge. Régler le téléphone en conséquence!

ES

### ¡ATENCIÓN!

- Si es posible, evita utilizarlo en un entorno húmedo o a altas temperaturas.
- No martillees, desmontes o vuelvas a montar el producto, ya que podrías provocar un mal funcionamiento.
- Las altas temperaturas pueden reducir el rendimiento de la carga.
- El consumo de energía del smartphone puede superar la potencia de carga. ¡Ajusta el teléfono en consecuencia!

EN

### Declaration of Conformity

**CE** The CE marking indicates that this product complies with the requirements of all EU directives applicable to this product.

### Simplified EU Declaration of Conformity

Hereby, SP United Vertriebs GmbH declares that the radio equipment type SPC+ Charging Suction Mount Pro Art.No. 53360 is in compliance with Directive 2014/53/EU, RoHS Directive 2011/65/EU and its amendment directives (EU) 2015/863. The full text of the EU declaration of conformity is available at the following internet address: [sp-connect.eu/products/wireless-powerbank](http://sp-connect.eu/products/wireless-powerbank) (Specifications)

DE

### Konformitätserklärung

**CE** Die CE-Kennzeichnung besagt, dass dieses Produkt die Anforderungen aller für dieses Produkt gültigen EU-Richtlinien erfüllt.

### Vereinfachte EU-Konformitätserklärung

Hiermit erklärt die SP United Vertriebs GmbH, dass der Funkanlagentyp SPC+ Charging Suction Mount Pro Art.Nr. 53360 der Richtlinie 2014/53/EU, RoHS-Richtlinie 2011/65/EU und ihrer Änderungsrichtlinie (EU) 2015/863 entspricht. Der vollständige Text der EU-Konformitätserklärung ist unter der folgenden Internetadresse verfügbar: [sp-connect.de/products/wireless-powerbank](http://sp-connect.de/products/wireless-powerbank) (Weitere Details)

FR

### Déclaration de conformité

**CE** Le marquage CE indique que ce produit est conforme aux exigences de toutes les directives européennes applicables à ce produit.

### Déclaration de conformité simplifiée de l'EU

Par la présente, SP United Vertriebs GmbH déclare que le type d'appareil radio SPC+ Charging Suction Mount Pro art. n° 53360 est conforme à la directive 2014/53/EU, à la directive RoHS 2011/65/EU et à ses directives de modification (EU) 2015/863. Le texte complet de la déclaration de conformité EU est disponible à l'adresse Internet suivante : [sp-connect.eu/fr/products/wireless-powerbank](http://sp-connect.eu/fr/products/wireless-powerbank) (Spécifications)

ES

### Declaración de conformidad

**CE** El marcado CE indica que este producto cumple los requisitos de todas las directivas de la EU aplicables a este producto.

### Declaración de conformidad simplificada de la EU

Por la presente, SP United Vertriebs GmbH declara que el equipo de radio tipo SPC+ Charging Suction Mount Pro Art. n.º 53360 cumple la Directiva 2014/53/EU, la Directiva RoHS 2011/65/EU y sus Directivas de modificación (EU) 2015/863. El texto completo de la Declaración de conformidad de la EU está disponible en la siguiente dirección de Internet: [sp-connect.eu/es/products/wireless-powerbank](http://sp-connect.eu/es/products/wireless-powerbank) (Especificaciones)

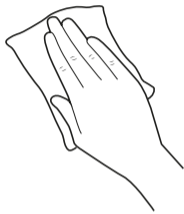


# CHARGING SUCTION MOUNT PRO



EN / DE / FR / ES

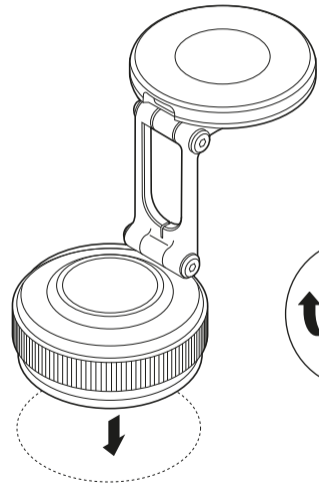
1



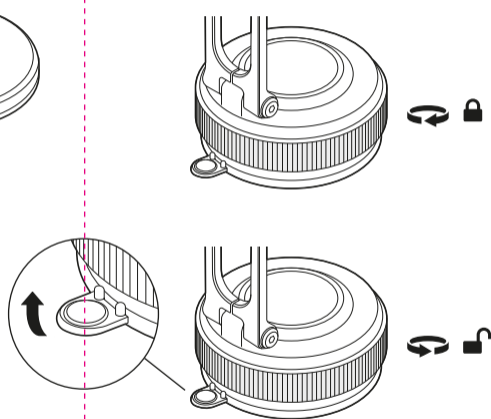
2



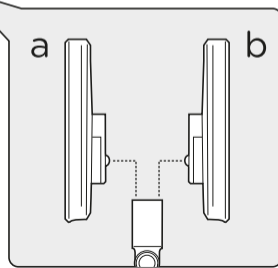
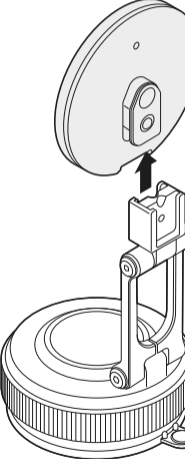
3



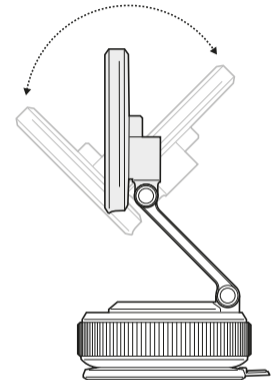
4



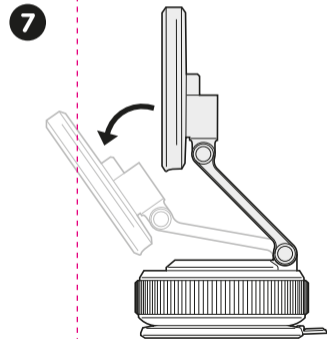
5



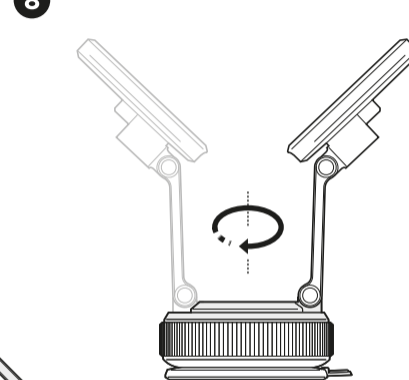
6



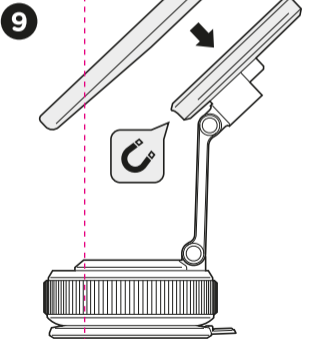
7



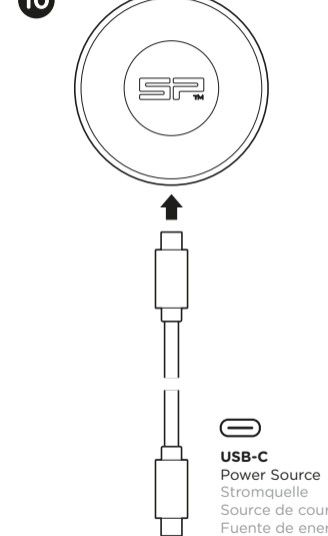
8



9



10



	RED	Ready / Bereit / Prêt / Listo
	BLUE	Charging / Lädt / Chargement / Cargando
	RED FLASH	Error / Fehler / Erreur / Error

